

'MK' ROTALOK™ HEAVY DUTY MECHANICAL REGISTER

INSTRUCTION MANUAL



To the Owner

PLEASE READ THIS SAFETY INFORMATION CAREFULLY BEFORE USE.

Read and retain this instruction manual to assist you in the operation and maintenance of this product.

This manual contains information relating to the Specifications and Maintenance of the '**MK**' **Rotalok Mechanical Register**.

If you have any problems with the Register, refer to the 'Service Instructions' sections of this manual.

If you need further assistance, contact your local representative or distributor for advice.

Important Information



Important Information

Disconnect the fluid line and release line pressure before disassembly.

If, during the maintenance the Flow Meter is to be removed from the process line ensure that the fluid supply to the meter is isolated and the line pressure is released before removal.

Register Orientation

The **MK ROTALOK™** can be rotated to any one of four step positions.

Automatically locking into the four securing points located at 90° intervals around the mounting plate, the register can be positioned to suit the orientation of the flow meter.

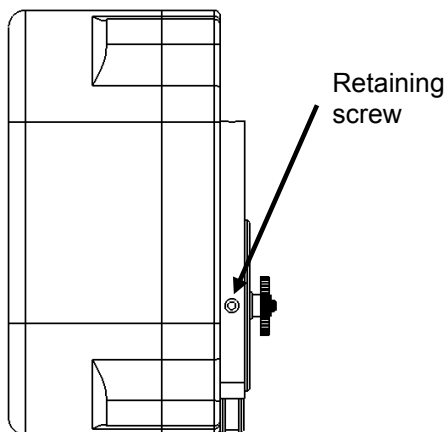
Once the desired orientation is achieved the register can be locked into place by tightening the 3 retaining screws located at the bottom of the register housing (see fig 1)



Important Information

When orientating the register please ensure the register is turned in a clockwise direction

Fig 1.



Removing the Register from the Meter

1. Using a 3mm flat ended screwdriver loosen the 3 retaining screws (item 10) from the bottom of the register. (see fig 1)

One is located at the back and one on either side at the 90° positions. Please note the screws do not need to be fully removed only loosened.

2. Remove the register unit from the flow meter body by lifting it vertically.

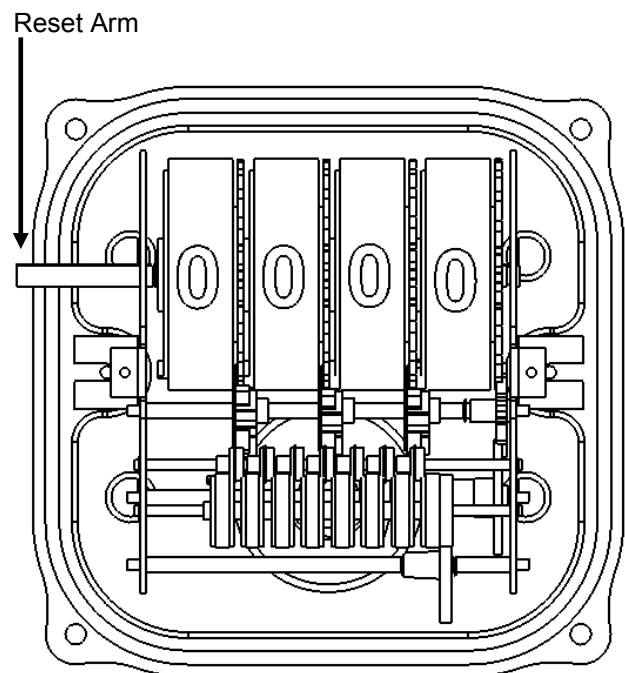
Disassembly Instructions

1. Place the register face down onto flat surface
2. Remove Reset Knob (item 7) by gently pulling off the shaft.
3. Remove the 4 cap screws (item 9). In order to remove the register cap (item 5) slide the cap over the reset arm (see figure 2)
4. The register assembly lifted from the base plate once the 2 mounting screws have been removed.

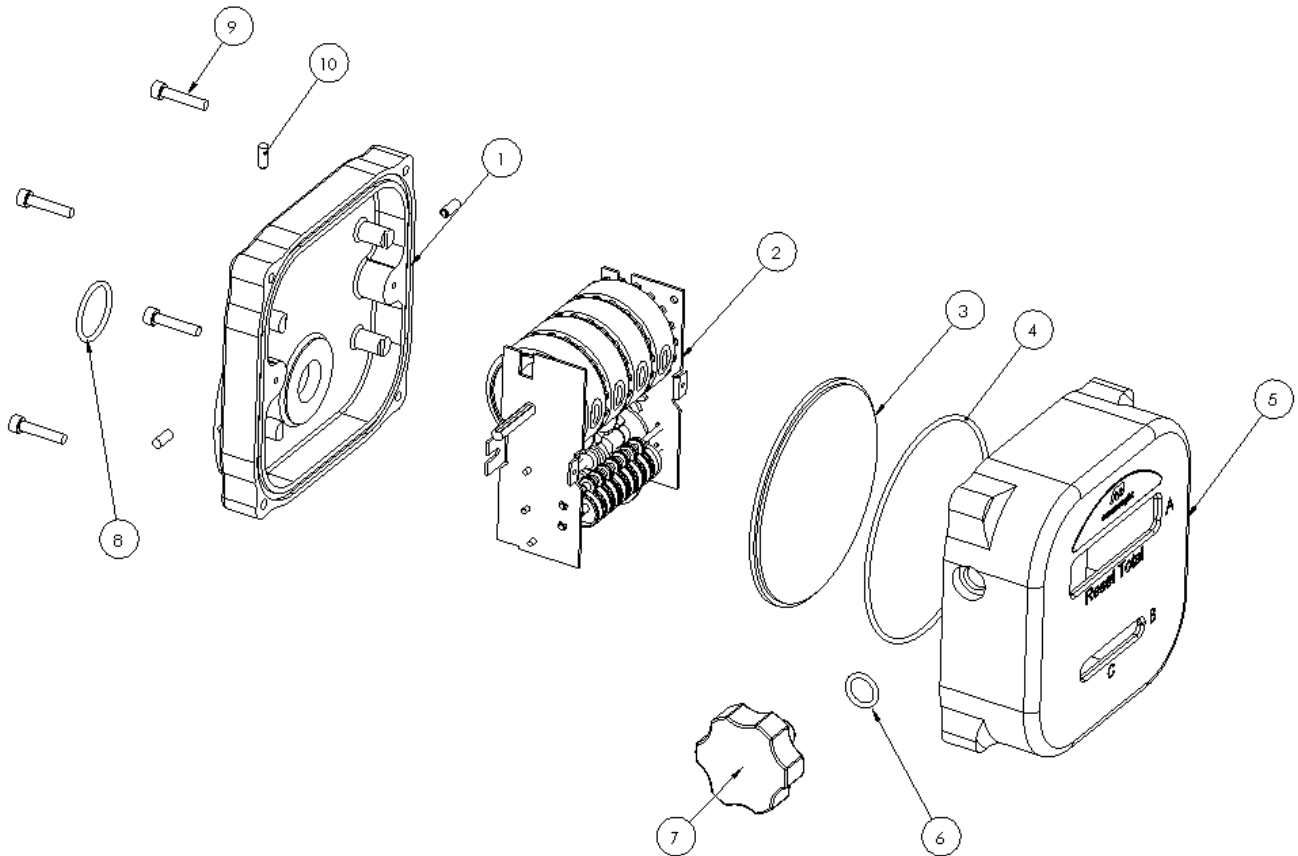
Reassembly Instructions

Reverse steps 1- 4 as per the '**DISASSEMBLY INSTRUCTIONS**' instructions (see above)

Fig 2.



Spare Parts Diagram



Spare Parts Listing

ITEM	Part No.	DESCRIPTION
1	MK061	Base Plate
2	MK001B	Register Assembly
3	MK065	Window
4	BS157	O-Ring (Window)
5	MK060LM10	Cover Plate
6	BS113	O-Ring (Reset Shaft)
7		Reset Knob
8	BS121	O-Ring (Register Housing)
9	MS485	Meter Cap Screws
10	MK062	Retaining Screws



Macnaught Pty Limited

ABN 66 000 075 785

41-49 Henderson Street
Turrella NSW 2205 Sydney Australia
Postal Address PO Box 90
Amcliffe NSW 2205 Sydney Australia

T: +61 2 9567 0401

F: +61 2 9597 7773

W: www.macnaught.com.au